

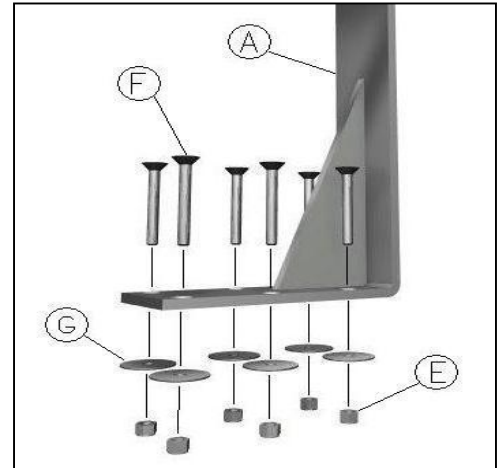
CONDOR® CYCLE LOADER MOUNTING KIT USER INSTRUCTION MANUAL

STOP! WARNING: READ THIS FIRST!

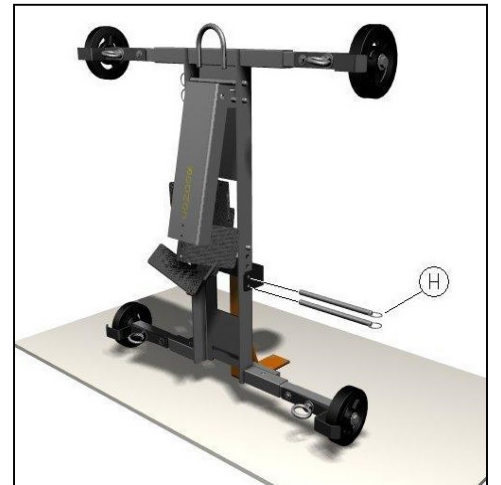
First Read and Understand the Instruction manual and product labels for important safety, set-up and troubleshooting information. If you have problems setting up or using the **CONDOR®** Cycle Loader Mounting Kit, contact customer service @ 815-754-7418 or contact us via e-mail @ www.condor-lift.com. The **CONDOR®** Cycle Loader Mounting Kit is not intended for use by children.

Assembly Instructions: Remove and inspect all parts from shipping box. Check parts list below to make sure you have all the components needed to assemble your **CONDOR®** Cycle Loader Mounting Kit before beginning. In the unlikely event that you find a part damaged or missing, please call customer service @ 1-800-754-7418.

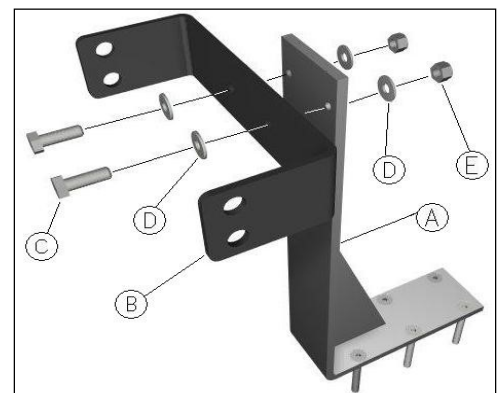
Parts	Key	Qty.	Description
	A	1	CONDOR® Cycle Loader Mounting Kit Base (CL-BRKT-BASE-C)
	B	1	CONDOR® Cycle Loader Mounting Kit Bracket (CL-BRKT-C)
	C	2	5/16" - 18 x 1" Hex Head Screw (CL-110120325)
	D	4	1/4" USS Flat Washer (PCS-1133004)
	E	8	5/16"-18 Lock Nut (P-37021)
	F	6	5/16" - 18 x 2.5" Flat Head Socket Cap Screw (P-73914)
	G	6	5/16" x 1.5" Fender Washer (P-1133215)
	H	2	1/2" x 10" Front Stop / Cradle Pin w/ Hitch Pin Clip (Z118)



Assembly Configuration #1



Mounting Configuration #2



Mounting Configuration #3

User Instructions:

Mounting Your Cycle Loader Mounting Kit:

Begin by choosing the location to place your Cycle Loader and Cycle Loader Mounting Kit. Please refer to the mounting configurations 1, 2 & 3 depicted in the photos on the front page of this sheet. Once you have chosen a location, set the Mounting Kit Base (A) in place and mark **two** of the six hole locations. Remove the Mounting Kit Base and drill the holes using the appropriate 5/16" hole size drill bit. Next, place the Mounting Kit Base back to the desired mounting location, insert the 5/16" screws provided (F), washers (G), lock nuts (E), and tightening the Mounting Kit Base in-place. At this point, you should drill the remaining four 5/16" holes and securely tighten the Mounting Kit Base to the mounting surface. You are now ready to attach the Mounting Kit Bracket (B) to the Mounting Kit Base as shown in configuration #3. Using the short 5/16" screw (C), washer (D), lock nuts (E), attach end securely tighten the two brackets together. At this point, you should be ready to place the Cycle Loader in position for transportation.

Securing Your Cycle Loader in Position for Transport:

Lift up the unit by the front hook with the top side facing you and roll the unit between the Mounting Kit Bracket. Secure your Cycle Loader with the two 10" pins provided by inserting them through the Mounting Kit Bracket and unit making sure not to forget to insert the hitch pin clips on the ends of the pins (as shown in Figure 2). For added security, replace one pin with two heavy duty pad locks. Tighten the lower wheel brakes for extra stability. Store ramp in toolbox making sure not to miss-place it.

Remove Cradle pin and position Cradle over the Front-Stop following your "cradle removal manual" which came with your Cycle Loader **in reverse order**. Lower the Front-Stop channel until you can re-insert the cradle pin through the unit and cradle securing the two together in a lowered position. Next, re-insert the Front-Stop pin so it remains with the unit making sure not to leave out the hitch pin clip by re-inserting it into the pin. Secure Cradle and Front-Stop to the unit by wrapping a strap or bungee cord around the entire unit making sure to over-lap the Front-Stop Channel securely to prevent the channel and cradle from bouncing against each other while driving. Place a second strap around the lower portion of the entire unit and mounting bracket to prevent the Cycle Loader from bouncing around while the vehicle is in motion. Be sure to use these straps to avoid any vibration that could eventually cause damage due to any hardware coming loose over time.

For more information on use, refer to www.condor-lift.com.

CAUTION:

Always make sure that all fasteners are tight and all pins are in place prior to use. Understand the limitations of this product and do not exceed these limitations. Always make sure that the unit's cradle settings are optimum for the tire size of the motorcycle before use. For bikes with very low fenders and or cowlings, a custom cradle may be purchased fitted to specific tire sizes, so as not to make contact. For standard sport bike front wheel combinations, the 1, 2, 3, front settings may be suitable. If instructions are not clear, additional information is available at www.condor-lift.com or call 1-800-461-1344. Technical Components Development & Design is not responsible for any damage incurred by exceeding this product's limitations in structure and/or functionality.

One Year Limited Warranty:

This **CONDOR®** Cycle Loader Mounting Kit product warranty extends to the original consumer purchaser of the product. All illustrations and specifications contained in this manual are based on the latest product information available at the time of printing. Technical Components Development & Design, Inc. reserves the right to make changes at any time, without notice, in color, materials, equipment, options, specifications and models. Models may be shown with optional equipment. Further information may be obtained by contacting Technical Components Development & Design, Inc.

@ 815-754-7418.

Warranty Duration:

This product is warranted to the original consumer purchase for a period of one (1) year from original purchase date.

What is not covered:

Our warranty for your product will not cover abnormal wear of parts, damage resulting from negligent use or misuse of the product, use contrary to operating instructions, or disassembly, repair or alteration by any person other than an authorized service station. We shall not be liable for any incidental or consequential damages for breach of by express or implied warranty on your product.

Return Policy:

15 day return policy applies. Merchandise may be returned within 15 days of purchase. Merchandise must be unused and in its original packaging. Customer will call TC Development for a Return Authorization number. Customer pays for freight return. Credit is given upon inspection of returned goods. A 15% re-stocking fee applies to all returned merchandise. If the product was originally shipped with a free shipping promotion, the cost of shipping will be deducted from the dollar amount of the return in addition to the restocking fee.

How your state's law may apply:

Some states do not allow limitations on how long any implied warranty lasts or the exclusion or limitation of incidental or consequential damages. So the above limitation may not apply to you. This warranty gives you specific legal rights, and you may also have other rights, which may vary from state to state.

Thank you for purchasing the **CONDOR®** Cycle Loader Mounting Kit.

CONDOR® is a registered trademark of Technical Components Development & Design, Inc.

The **CONDOR®** Cycle Loader Mounting Kit is US Patented & International Patent Pending.

Technical Components Development & Design, Inc.

210 W. Stephenie Drive

Cortland, IL 60112

Phone: (815) 754-7418

Fax: (815) 754-7419

Web Site: www.condor-lift.com

Checked by: _____