






CL-1000 *CONDOR*® CYCLE LOADER USER INSTRUCTION MANUAL

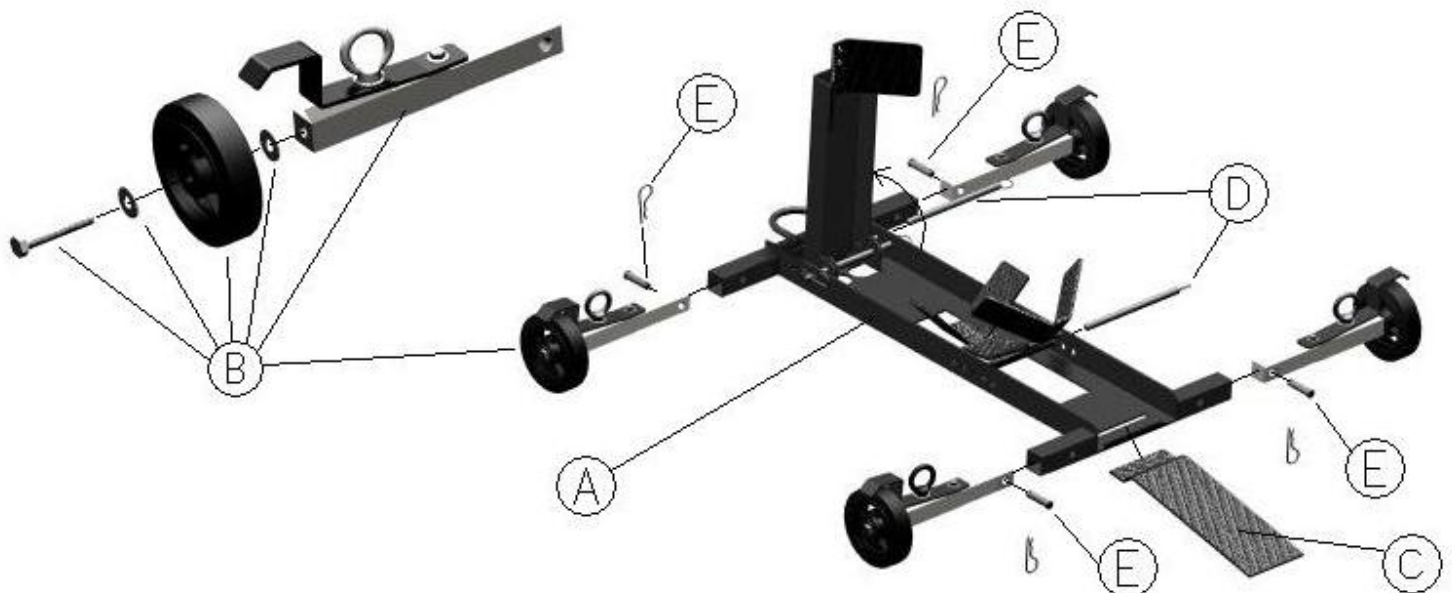
STOP! WARNING: READ THIS FIRST!

First Read and Understand the Instruction manual and product labels for important safety, set-up and troubleshooting information. If you have problems setting up or using the *CONDOR*® Cycle Loader, contact customer service @ 1-815-754-7418 or contact us via e-mail @ www.condor-lift.com. *CONDOR*® Cycle Loader is not intended for use by children.

Assembly Instructions: Remove all parts from shipping box. Check the parts below to make sure you have all the parts needed to assemble your *CONDOR*® Cycle Loader before beginning. In the unlikely event that you find a part damaged or missing, please call customer service @ #815-754-7418.

| Parts | Key | Qty. | Description |
|--|-----|------|--|
|  | A | 1 | <i>CONDOR</i> ® Cycle Loader Main Unit |
|  | B | 4 | Wheel and Brake Assembly (L-AC02) |
|  | C | 1 | Loader Ramp (packaged inside Main Unit) (L-PB35-C) |
|  | D | 3 | 1/2" x 8.5" Front Stop / Cradle Pin w/ Hitch Pin Clip (Z119) |
|  | E | 4 | 1/2" x 2" Clevis Pin w/ hitch Pin Clip (C-156771) |

Assembly Illustration:



User Instructions:

Confirm that the cradle is set in the optimized position setting (See **RECOMMENDED CRADLE SETTINGS**) for the entering tire and wheel. Adjustment of cradle is crucial for optimum retention. Optimum retention is achieved by trying different settings. (**REFER TO CAUTION PARAGRAPH BELOW**): If the optimum vertical support is achieved, the motorcycle will hold itself upright. If optimum retention is not achieved try different cradle settings. (**REFER TO CAUTION PARAGRAPH BELOW**). Once cradle is positioned, tighten the brakes using the eye bolts and place the Cycle Loader in front of the motorcycle. Push or drive the motorcycle, centered into unit, until the cradle of the Cycle Loader has fully engaged the wheel. Once the wheel is cradled, proceed to push further into the Cycle Loader until the wheel has engaged the front stop. If the optimum vertical support is achieved, the motorcycle will hold itself upright. As an extra precaution, an optional Velcro strap may be used to strap the cradled wheel to the front stop (Optional Velcro strap purchased separately). Always strap Velcro through the wheel and around the front stop below the upper front stop flange. Loosen the brakes and use two (2) tie-down straps to secure the motorcycle to the two front eyebolts of the Cycle Loader. Hook wench to ½" 'U' hook in front of Cycle Loader. Use the wench to pull the Cycle Loader with motorcycle up the flat bed. When the Cycle-Loader is all the way on the bed, the rear tire of the motorcycle is still on the ground, and there is ample clearance beneath the motorcycle, the ramp can be tilted upward and removed from the unit and stored safely. Once the motorcycle is all the way on the flat bed, the bike should be secured to the flat bed itself. For more information on use, refer to www.condor-lift.com.

RECOMMEDED CRADLE SETTINGS:

The **CONDOR**® Cycle Loader is designed so that for every tire/wheel size within the ranges specified a minimum of 2 cradle settings is suitable.

****The optimum cradle setting for a specific tire would be, the setting that allows the cradle to tilt flush with the unit/ or ¼" below the opening in the main unit where the cradle sits, without touching.****

The 2nd optimum setting would be the setting forward from the optimum setting away from the entry direction. If less retention is desired at any time due to too much retention or sticking, the cradle may be moved away from the entry direction one notch.

RACING APPLICATIONS:

For bikes with GP or low durometer front tires compounds, use the 5th cradle setting from the entry directions.

CAUTION:

Always make sure that all fasteners are tight and all pins are in place prior to use. Understand the limitations of this product and do not exceed these limitations. Always make sure that the unit's cradle settings are optimum for the tire size of the motorcycle before use. For bikes with very low fenders and/or cowlings, a custom cradle may be purchased fitted to specific tire sizes, so as not to make contact. For standard sport bike front wheel combinations, the 1, 2, 3, front settings may be suitable. If instructions are not clear, additional information is available at www.condor-lift.com or call 1-800-461-1344. Technical Components Development & Design is not responsible for any damage incurred by exceeding this product's limitations in structure and/or functionality.

One Year Limited Warranty:

This **CONDOR**® CL-1000 Cycle Loader product warranty extends to the original consumer purchaser of the product. All illustrations and specifications contained in this manual are based on the latest product information available at the time of printing. Technical Components Development & Design, Inc. reserves the right to make changes at any time, without notice, in color, materials, equipment, options, specifications and models. Models may be shown with optional equipment. Further information may be obtained by contacting Technical Components Development & Design, Inc. @ 1-815-754-7418.

Warranty Duration:

This product is warranted to the original consumer purchase for a period of one (1) year from original purchase date.

What is not covered:

Our warranty for your product will not cover abnormal wear of parts, damage resulting from negligent use or misuse of the product, use contrary to operating instructions, or disassembly, repair or alteration by any person other than an authorized service station. We shall not be liable for any incidental or consequential damages for breach of by express or implied warranty on your product.

Return Policy:

15 day return policy applies. Merchandise may be returned within 15 days of purchase. Merchandise must be unused and in its original packaging. Customer will call TC Development for a Return Authorization number. Customer pays for freight return. Credit is given upon inspection of returned goods. A 15% re-stocking fee applies to all returned merchandise. If the product was originally shipped with a free shipping promotion, the cost of shipping will be deducted from the dollar amount of the return in addition to the restocking fee.

How your state's law may apply:

Some states do not allow limitations on how long any implied warranty lasts or the exclusion or limitation of incidental or consequential damages. So the above limitation may not apply to you. This warranty gives you specific legal rights, and you may also have other rights, which may vary from state to state.

Thank you for purchasing the **CONDOR**® Cycle Loader.

Patent Number: RE 42,735

CONDOR® is a registered trademark of Technical Components Development & Design, Inc.
The **CONDOR**® Cycle Loader is US Patented & International Patent Pending.

Technical Components Development & Design, Inc.

210 W. Stephenie Drive

Cortland, IL 60112

Phone: (815) 754-7418

Fax: (815) 754-7419

Web Site: www.condor-lift.com