

# CONDOR® CHOPPER CHOCK USER INSTRUCTION MANUAL

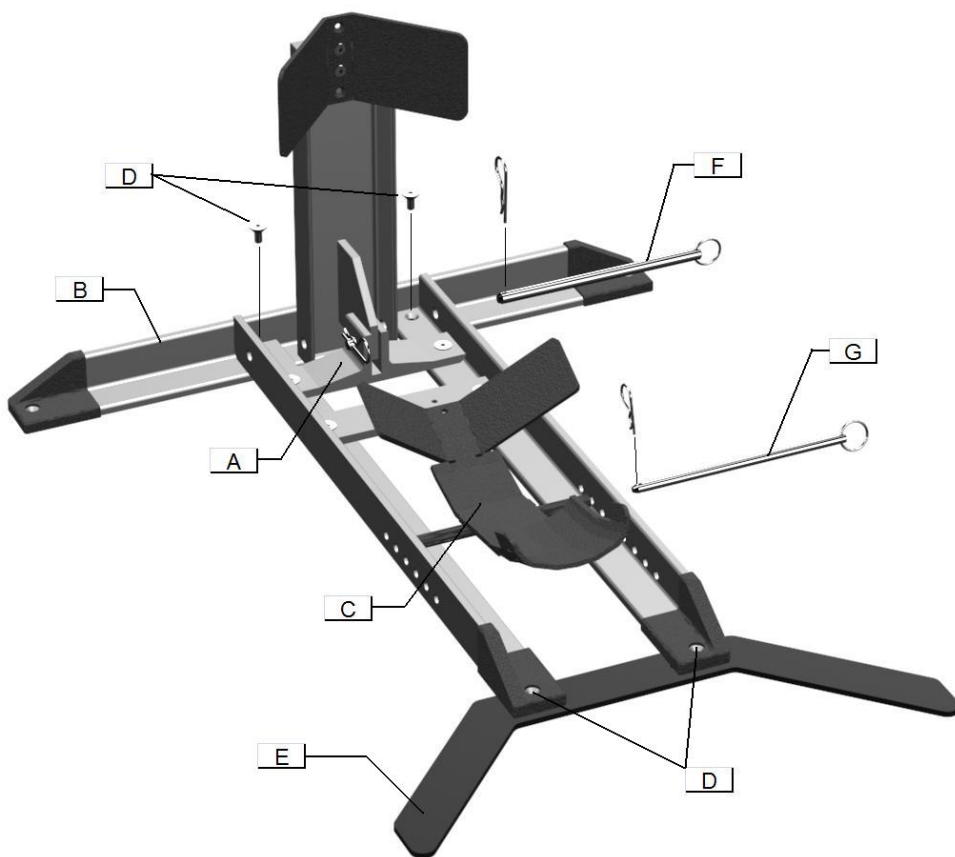
## STOP! WARNING: READ THIS FIRST!

First Read and Understand the Instruction manual and product labels for important safety, set-up and troubleshooting information. If you have problems setting up or using the **CONDOR®** Chopper Chock, contact customer service @ 1-815-754-7418 or contact us via e-mail @ [www.condor-lift.com](http://www.condor-lift.com). The **CONDOR®** Chopper Chock is not intended for use by children.

**Assembly Instructions:** Remove all parts from shipping box. Check the parts below to make sure you have all the parts needed to assemble your **CONDOR®** Chopper Chock before beginning. In the unlikely event that you find a part damaged or missing, please call customer service @ 815-754-7418.

Parts	Key	Qty.	Description
	A	1	<b>CONDOR®</b> Main Unit
	B	1	<b>CONDOR®</b> Front Base Support Bar
	C	1	<b>CONDOR®</b> Maximum Retention Chopper Cradle (CHCKCRAD-90, CHCKCRAD-120)
	D	4	5/16" - 18 x 3/4" Flat Head Socket Cap Screw (P-94254)
	E	1	<b>CONDOR®</b> Boomerang Rear Support Bar (SC-VSTRIP-C)
	F	1	1/2" x 10" Front Stop Pin w/ Hitch Pin Clip 11 (Z118)
	G	1	3/8" x 10" Cradle Pin w/ Hitch Pin Clip 16 (Z101)
	H	1	<b>CONDOR®</b> Trailer Adaptor Kit (TK-3000)

## Assembly Illustration:



**Step1:** Using screws (D), attach the Base Bar (B) to the main unit (A).  
(3/16 hex key required, torque between 16 - 18 ft-lbs)

**Step2:** Using Screws (D), attach the Boomerang (E) to the Main Unit (A).  
(3/16 hex key required, torque between 16 - 18 ft-lbs)

**Step3:** Swing the Front Stop containing the CONDOR® Logo into position.

**Step4:** Place Pin (F) through Main Unit and Front Stop Channel. If the pin is tight at first use, push it through using light force and twist it in.  
(Attach Hitch Pin Clip once the pin has passed all the way through.)

**Step5:** Place Cradle (C) as shown in the desired setting and insert Pin (G) through Main unit and cradle pipe.  
(Attach Hitch Pin Clip once the pin has passed all the way through.)

## Warning:

**Only use unit when properly assembled.**

## User Instructions:

Confirm that there is adequate spacing between the tire and fender to allow cradle to pass between the fender and tire. Confirm that the cradle is set in the optimized position setting (See **RECOMMENDED CRADLE SETTINGS**) for the entering tire and wheel. Adjustment of cradle is crucial for optimum retention. Optimum retention is achieved by trying different settings. (**REFER TO CAUTION PARAGRAPH BELOW**) Place unit in front of or behind the motorcycle. Push or drive the motorcycle, centered into unit until the cradle of the Pit-Stop has fully engaged the wheel. Once the wheel is cradled, proceed to push further into the Pit-Stop until the wheel has engaged the front stop. If the optimum vertical support is achieved, the motorcycle will hold itself upright. If optimum retention is not achieved try different cradle settings. (**REFER TO CAUTION PARAGRAPH BELOW**)

For more information on use, refer to [www.condor-lift.com](http://www.condor-lift.com)

**Cradle Setting Instructions:** The guidelines provided are recommendations only. Cradle settings may differ due to tire manufacturing variations such as tire lot differences and tire circumference variations between lots of same and different brand tires. Due to this, the STANDARD CRADLE SETTING PARAMETERS supersede all guidelines provided.

**Standard Cradle Setting Parameters:**

**\*\* The optimum setting for a specific tire would be the setting that allows the cradle to tilt as far forward as possible without making contact with the unit's mounting surface, or the ground. \*\***

The **CONDOR®** Cradle Mechanism is designed so that for every tire/wheel size within the ranges specified a minimum of 2 cradle settings are suitable.

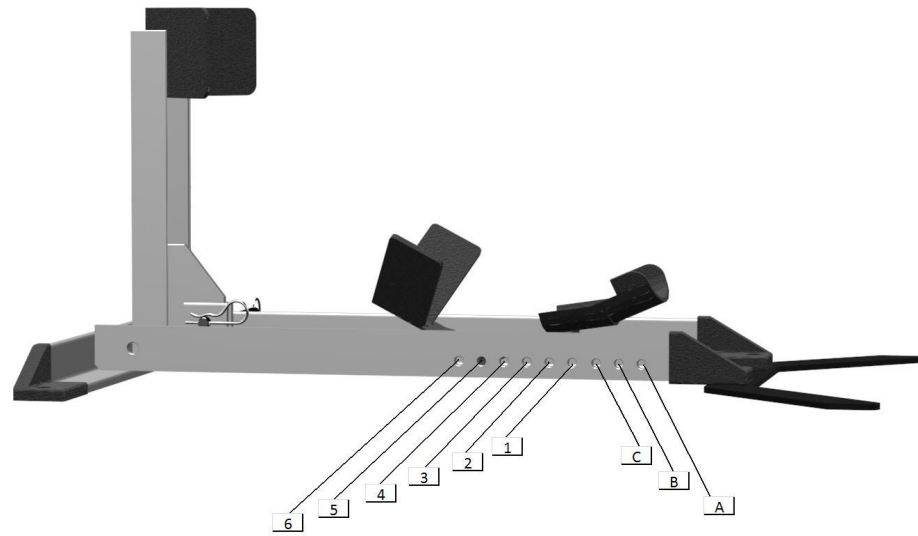
The 2<sup>nd</sup> optimum setting would be the setting forward from the optimum setting which is away from the entry directions of the unit. If less retention is desired at any time due to too much sticking, the 2<sup>nd</sup> optimum setting may be more suitable. Racing tire settings for GP or low durometer tire compounds would be the 5<sup>th</sup> and 6<sup>th</sup>. This allows for the least amount of sticking when using the CHCK-1500 free standing.

For bikes with very low fenders and or cowlings, a custom cradle may be purchased fitted to a specific tire size, so as not to make contact.

**Cradle Setting Guidelines:** Due to the numerous tire wheel combinations available, these guidelines will provide in a general manner the placements of the most common sizes seen on the market. These settings are recommended guidelines, they are not specific guidelines. The Standard Cradle Setting Parameters should be followed to customize the setting for your particular vehicle.

Front / Rear	Width-Diameter	1st Opt. Setting	2nd Opt. Setting	Optimized Setting
FRONT	80, 90 - 21"	1	2	SEE " <u>STANDARD CRADLE SETTING PARAMETERS</u> "
FRONT	100, 120 - 21"	1	2	
FRONT	100 - 18"	2	3	
FRONT	100 - 19"	2	3	
FRONT	120 - 17"	3,4	5	
FRONT	130 - 16"	2	3	
FRONT	140 - 17"	1	2	
FRONT	150 - 17"	1	2	
REAR	150+	1	1	
FRONT	21" +	A,B,C**	A,B,C**	

\*\*For Tire Diameters larger than 21", apply "STANDARD CRADLE SETTING PARAMETERS" guidelines to determine setting in A, B, C.



**Chopper Chock (CHCK-1500) Side View & Hole Placement Illustration**  
**(Note: Units with additional holes A/B/C should use these holes only for tire sizes 22" and larger.)**

**CAUTION:**

Always make sure that all fasteners are tight and all pins are in place prior to use. Understand the limitations of this product and do not exceed these limitations. Always make sure that the unit's cradle settings are optimum for the tire size of the motorcycle before use. For standard sport bike front wheel combinations, the 1, 2, 3, front settings may be suitable. If instructions are not clear, additional information is available at [www.condor-lift.com](http://www.condor-lift.com) or call 1-800-461-1344. Technical Components Development & Design is not responsible for any damage incurred by exceeding this product's limitations in structure and/or functionality.

**One Year Limited Warranty:**

This **CONDOR®** Chopper Chock product warranty extends to the original consumer purchaser of the product. All illustrations and specifications contained in this manual are based on the latest product information available at the time of printing. Technical Components Development & Design, Inc. reserves the right to make changes at any time, without notice, in color, materials, equipment, options, specifications and models. Models may be shown with optional equipment. Further information may be obtained by contacting Technical Components Development & Design, Inc. @ [815-754-7418](tel:815-754-7418).

**Warranty Duration:**

This product is warranted to the original consumer purchase for a period of one (1) year from original purchase date.

**What is not covered:**

Our warranty for your product will not cover abnormal wear of parts; damage resulting from negligent use or misuse of the product, use contrary to operating instructions, or disassembly, repair or alteration by any person other than an authorized service station. We shall not be liable for any incidental or consequential damages for breach of by express or implied warranty on your product.

**Return Policy:**

15 day return policy applies. Merchandise may be returned within 15 days of purchase. Merchandise must be unused and in its original packaging. Customer will call TC Development for a Return Authorization number. Customer pays for freight return. Credit is given upon inspection of returned goods. A 15% re-stocking fee applies to all returned merchandise. If the product was originally shipped with a free shipping promotion, the cost of shipping will be deducted from the dollar amount of the return in addition to the restocking fee.

**How your state's law may apply:**

Some states do not allow limitations on how long any implied warranty lasts or the exclusion or limitation of incidental or consequential damages. So the above limitation may not apply to you. This warranty gives you specific legal rights, and you may also have other rights, which may vary from state to state.

Thank you for purchasing the **CONDOR®** Chopper Chock.

Patent Number: RE 42,735

**CONDOR®** is a trademark of Technical Components Development & Design, Inc.

The **CONDOR®** Chopper Chock is US Patented & International Patent Pending.

210 W. Stephenie Drive  
 Cortland, IL 60112  
 Phone: (815) 754-7418  
 Fax: (815) 754-7419  
 Web Site: [www.condor-lift.com](http://www.condor-lift.com)