

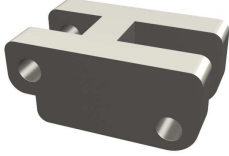



SUPPLEMENTAL INSTALLATION / ASSEMBLY MANUAL

FOR THE CONDOR® A-TRACK CONVERSION ADAPTOR

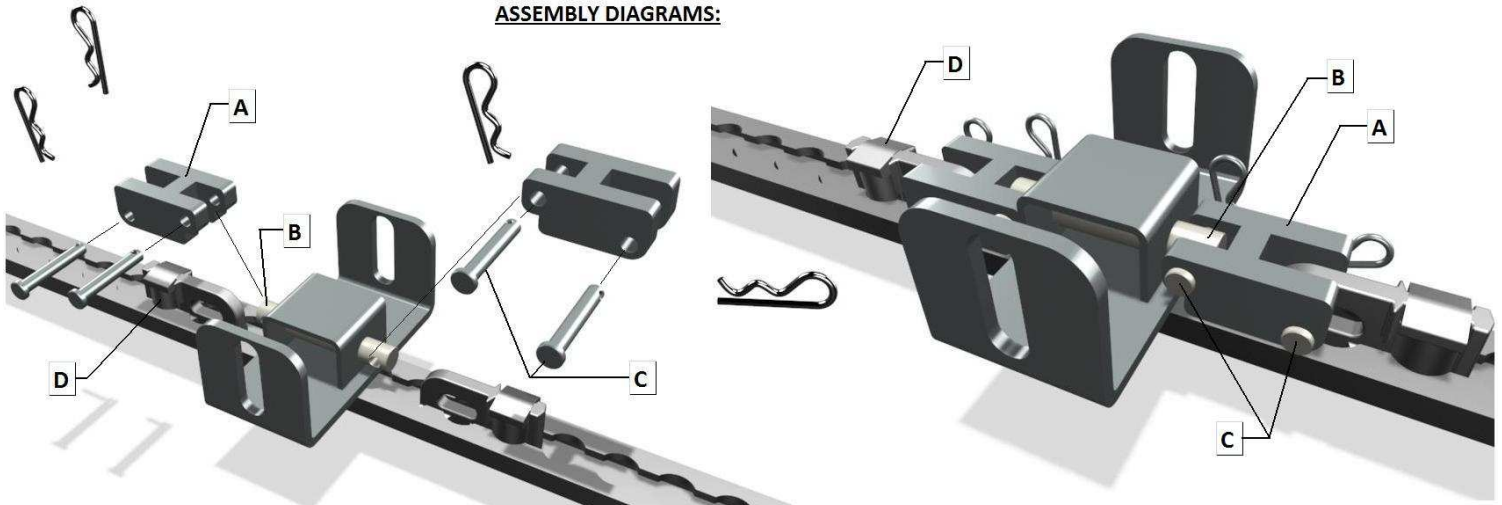
STOP! WARNING: READ THIS FIRST!

First Read and Understand the Instruction manual and product labels for important safety, set-up and troubleshooting information. If you have problems setting up or using the Condor® A-Track Adaptor, contact customer service @ 1-800-461-1344 or contact us via e-mail @ www.condor-lift.com. Condor® Motorcycle products are not intended for use by children.

Assembly Instructions: Remove all parts from shipping box. Check the parts below to make sure you have all the parts needed to assemble your Condor® Self-Loader before beginning. In the unlikely event that you find a part damaged or missing, please call customer service @ #815-754-7418. The Condor® A-Track Adaptor may be assembled and installed by following the instruction manual provided, but with a few differences. In the parts list, items i and j will be replaced with A-track clips and smaller pins. There are also two additional parts including 4 machined aluminum blocks, and 8 small pins w/ clips. Assembly steps 1-4 and 8-10 are exactly the same. Steps 5-7 are similar, except for the assembly of the mounting brackets. See figures below.

Parts	Key	Qty.	Description
	A	4	A-Track Conversion Block (UNIV-ATRK-BLOCK)
	B	2	A-Track Pin #1 (UNIV-ATRK-PIN1)
	C	8	A-Track Pin #2 w/ Hitch Pin CLip (UNIV-ATRK-PIN2)
	D	4	A-Track Clip (UNIV-ATRK-CLIP)

ASSEMBLY DIAGRAMS:



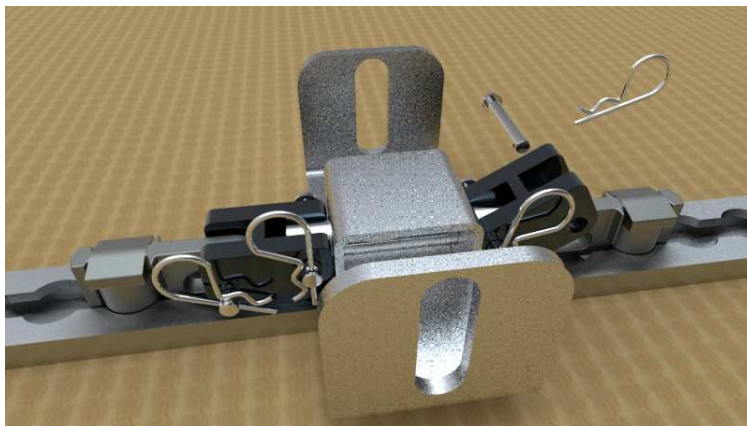


Figure 1: With one A-Track clip detached, lock the A-Track clip attached to assembly into place. Locate second clip to align near the pin-hole on the opposite end of the bracket



Figure 2: Swing the bracket down so that the pin-hole lines up with the opening in the A-track clip. Insert pin through bracket and A-track clip and secure into place with the hitch-clip provided

Caution:

Always make sure that all fasteners are tight and all pins are in place prior to use. Understand the limitations of this product and do not exceed these limitations. Technical Components Development & Design is not responsible for any damage incurred by exceeding this product's limitations in structure and/or functionality.

One Year Limited Warranty:

This Condor® A-Track Adaptor product warranty extends to the original consumer purchaser of the product. All illustrations and specifications contained in this manual are based on the latest product information available at the time of printing. Technical Components Development & Design, Inc. reserves the right to make changes at any time, without notice, in color, materials, equipment, options, specifications and models. Models may be shown with optional equipment. Further information may be obtained by contacting Technical Components Development & Design, Inc. @ #815-754-7418.

Warranty Duration:

This product is warranted to the original consumer purchase for a period of one (1) year from original purchase date.

What is not covered:

Our warranty for your product will not cover abnormal wear of parts, damage resulting from negligent use or misuse of the product, use contrary to operating instructions, or disassembly, repair or alteration by any person other than an authorized service station. We shall not be liable for any incidental or consequential damages for breach of by express or implied warranty on your product.

How your state's law may apply:

Some states do not allow limitations on how long any implied warranty lasts or the exclusion or limitation of incidental or consequential damages. So the above limitation may not apply to you. This warranty gives you specific legal rights, and you may also have other rights, which may vary from state to state.

Thank you for purchasing Condor® Products.

Condor® is a trademark of Technical Components Development & Design, Inc.

The Condor® A-Track Adaptor has US & International Patents

210 W. Stephenie Drive
Cortland, IL 60112
Phone: 815-754-7418
Fax: 815-754-7419