
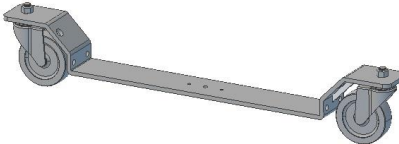

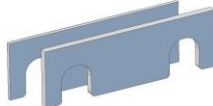


CONDOR® GD-3500 GARAGE DOLLY EXTENSION USER INSTRUCTION MANUAL

STOP! WARNING: READ THIS FIRST!

First read and understand the instruction manual and product labels for important safety, set-up and troubleshooting information. If you have problems setting up or using the **CONDOR® GD-3500** Garage Dolly Extension, contact customer service at (815) 754-7418 or contact us via email @ www.condor-lift.com. The **CONDOR® GD-3500** Garage Dolly Extension is not intended for use by children.

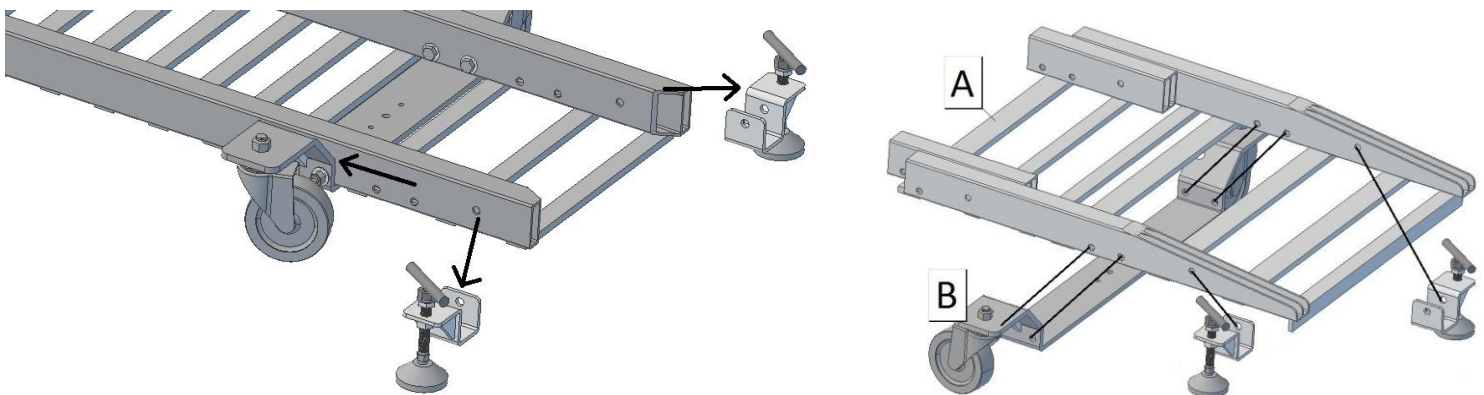
Assembly Instructions: Remove all parts from shipping box. Check the parts below to make sure you have all the parts needed to assemble your **CONDOR® GD-3500** Garage Dolly Extension before beginning. In the unlikely event that you find a part damaged or missing, please call customer service @ #1-815-754-7418.

Component Photo	Item	Component Description	QTY
	A	GD-3500 Garage Dolly Extension Frame	1
	B	Rear Extension Caster Bracket w/ Wheels	1
	C	Hardware Assortment [(4) 3/8"x5-1/2" Bolt, (2) 3/8"x4" Bolt, (4) 3/8"x2-1/2" Bolt, (10) 3/8" Locknut, (20) 3/8" Washer,	Varies
	D	Aluminum Shim Assortment	Varies

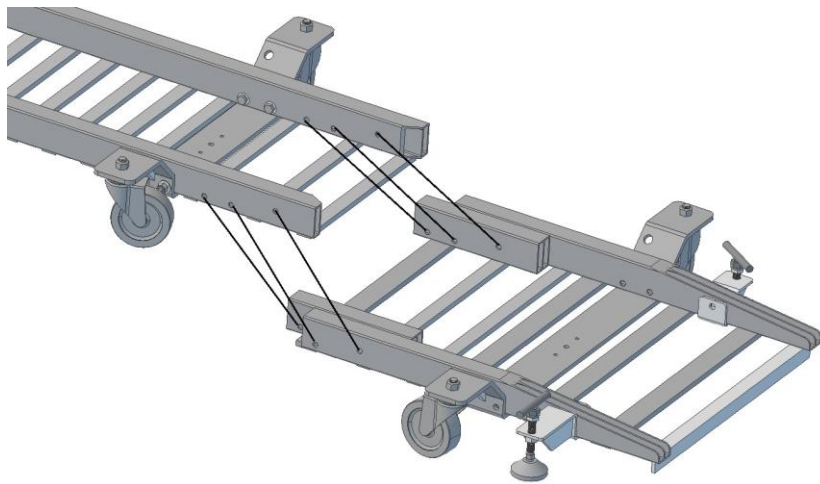
You will need the following tools for assembly:

- (2) 9/16" open ended wrench (not included)
- (1) Ratcheting Wrench with a size 9/16" bit attached (optional, not included)

1. Remove existing Stop Brackets from Rear Assembly of the Dolly. Be sure that the existing Rear Caster Bracket is attached to the Dolly in the forward setting.



2. Attach Caster Bracket (B) and the Stop Brackets that were removed in Step1 to Extension Frame (A) using the hardware provided (C). Be sure to insert the bolts from the inside to outside of the assembly so that they will not interfere with the wheels of a motorcycle. If the fit of the wheel brackets seems too loose, use a combination of the enclosed shims (D) to fill the space on the sides of the Dolly Extension frame for a tighter fit.



3. Attach Extension Assembly to Rear Section using (2) 3/8"x5-1/2" Bolts, (4) 3/8"x3-1/2" Bolts, (6) 3/8" Locknuts, and (12) 3/8" Washers. Be sure to insert the bolts from the inside to outside of the assembly so that they will not interfere with the wheels of a motorcycle.

CAUTION:

Always make sure that all fasteners are tight and all pins are in place prior to use. Understand the limitations of this product and do not exceed these limitations. Always make sure that the unit's cradle settings are optimum for the tire size of the motorcycle before use. Be sure to read and understand user instructions for the GD-3500 Garage Dolly & Extension. If instructions are not clear, additional information is available at www.condor-lift.com or call (800) 461-1344. Technical Components Development & Design is not responsible for any damage incurred by exceeding this product's limitations in structure and/or functionality.

One Year Limited Warranty:

This GD-3500 Garage Dolly & Extension product warranty extends to the original consumer purchaser of the product. All illustrations and specifications contained in this manual are based on the latest product information available at the time of printing. Technical Components Development & Design, Inc. reserves the right to make changes at any time, without notice, in color, material, equipment, options, specifications and models. Models may be shown with optimal equipment. Further information may be obtained by contacting Technical Components Development & Design, Inc. at (815) 754-7418.

Return Policy:

15 Day return policy applies. Merchandise may be returned within 15 days of purchase. Merchandise must be unused and in its original packaging. Customer must call Technical Components Development & Design, Inc. for a Return Authorization number. Return freight is at the responsibility and expense of the customers. Credit is given upon inspection of returned goods. A 15% re-stocking fee applies to all returned merchandise.

Warranty Duration:

This product is warranted to the original consumer purchase for a period of one (1) year from the original purchase date.

What is not covered:

Our warranty will not cover abnormal wear of parts, damage resulting from negligent use or misuse of the product, use contrary to operating instructions, or disassembly, repair or alteration by any person other than an authorized service station. We shall not be liable for any incidental or consequential damages for breach of by express or implied warranty on products.

How your state's law may apply:

Some states do not allow limitations on how long any implied warranty lasts or the exclusion or limitation or incidental or consequential damages. So the above limitations may not apply to you. This warranty gives you specific rights, and you may also have other rights, which may vary from state to state.

Thank you for purchasing the GD-3500 Garage Dolly & Extension.

CONDOR® is a trademark of Technical Components Development & Design, Inc.

The GD-3500 Garage Dolly & Extension is US Patented & International Patent Pending.

210 Stephenie Dr.

Cortland, IL 60112

Phone: (815) 754-7418

Fax: (815) 754-7419

Website: www.condor-lift.com