

CONDOR® T-RAMP™ QUICK START MANUAL

STOP! WARNING: READ THIS FIRST!

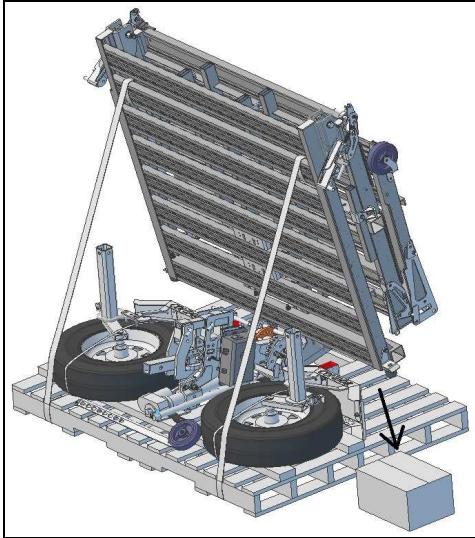
It is recommended that detaching the T-Ramp from its shipping skid be performed by at least two (2) able-bodied adults.

First Read and Understand the Instruction manual and product labels for important safety, set-up and troubleshooting information. If you have problems setting up or using the Condor® T-Ramp™, contact customer service @ 1-815-754-7418 or contact us via e-mail @ www.condor-lift.com. Condor® T-Ramp™ is not intended for use by children.

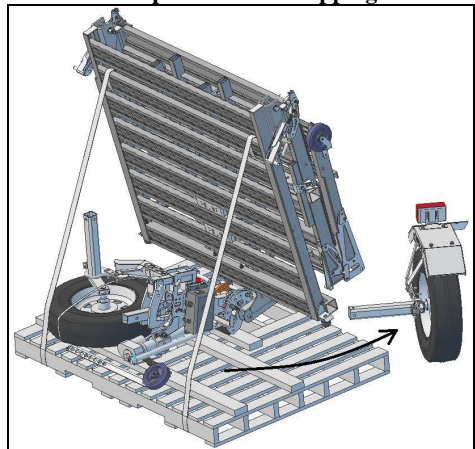
Skid Detachment Instructions:

Remove all parts from shipping box. Check the parts below to make sure you have all the parts needed to remove and operate your Condor® T-Ramp™ before beginning. In the unlikely event that you find a part damaged or missing, please call customer service @ #815-754-7418.

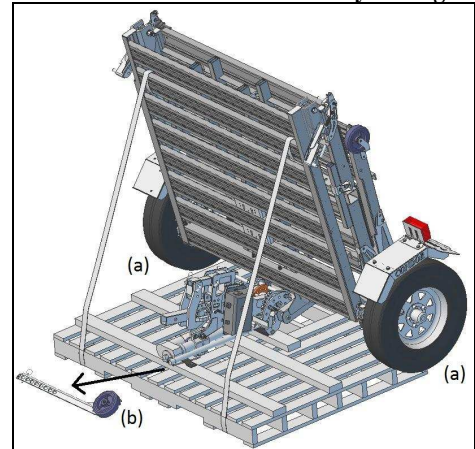
- 7-Way T-Ramp power cord
- Wireless Remote
- Fuse / Hardware bag
- Operation Manual – Refer to Manual for details
- 3/4" wrench or socket (Not Included)
- 9/16" wrench or socket (Not Included)
- Metal band cutters (Not Included)
- Vehicle with Class III or better hitch receiver assembly (Not Included)



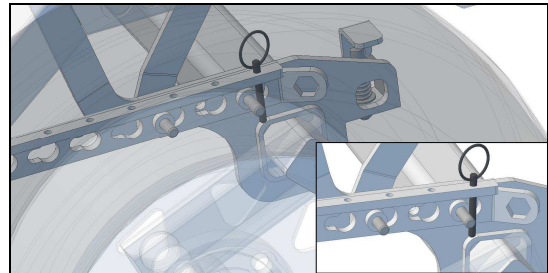
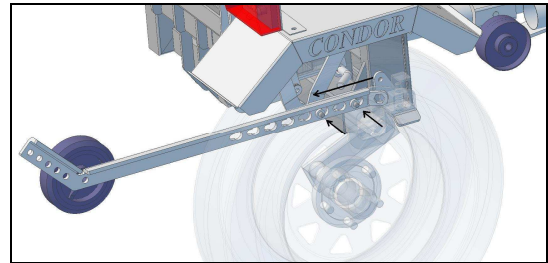
1. Place skid behind truck with wheels closest to truck. Remove and open included shipping box.



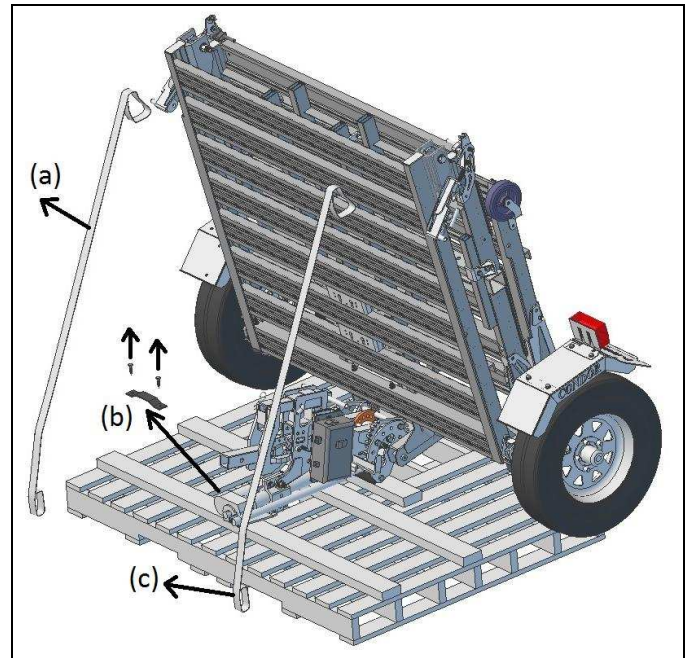
2. Remove axle / wheel assemblies by cutting steel bands.



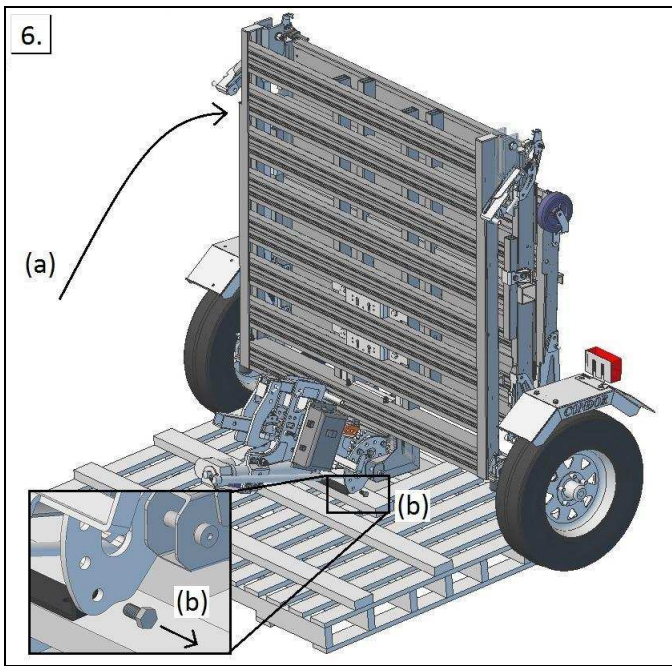
3. (a) Install axle / wheel assemblies in storage position (See Section 4.4), (b) Remove Kickstand from shipping skid.



4. Attach and Secure Kickstand (See Section 4.3 – 4.5)

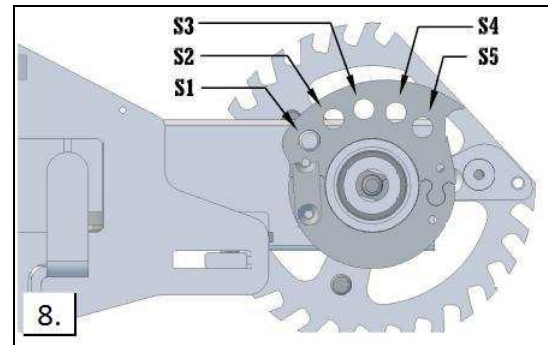
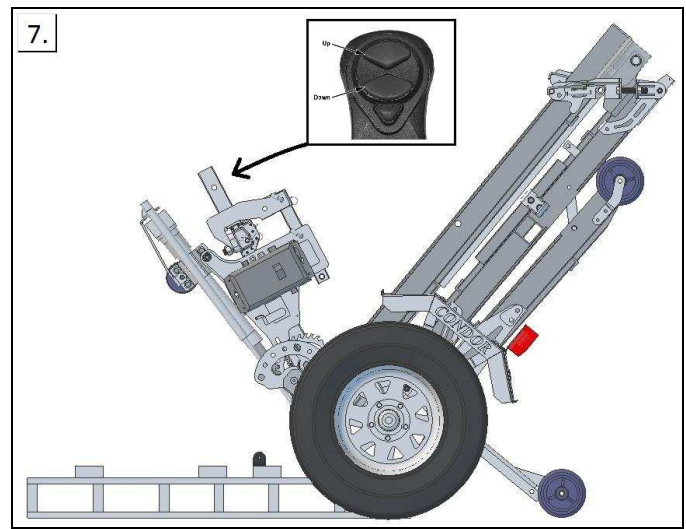


5. Release one (1) tie down strap (a). Using a 9/16" wrench, remove the Mechanism Hold-Down Bracket (b). While holding the second tie down strap, release second tie down strap (c). Continue holding the tie down strap to be sure entire unit remains in the balanced, upright position.



6. With (2) people, lean T-ramp back until the axle / wheel assemblies touch the ground (a). Using a ¾" wrench or socket, remove the (2) bolts securing the Mechanism to the skid (b). The T-ramp is now free from the shipping skid.

7. Lean T-Ramp back slowly until the Kickstand Wheel is touching the ground. The T-Ramp should now be safely supported to roll it into position to connect to truck hitch. Use wireless remote or onboard switch to lower the Mechanism to line up with truck hitch. Follow the instructions in Section 5.2 to secure the T-Ramp to your truck for transport.



8. The T-Ramp height setting arrives from the factory set at Setting 1, with the Stop Ring un-set. See above diagram and Section 5.3.2 in the Operation Manual to properly set the Stop Ring before use. Also See Section 5.3.2 to customize the T-Ramp height setting for various vehicles.

CAUTION:

Refer to the included Operations Manual prior to operating this product. Always make sure that all fasteners are tight and all pins are in place prior to use. Understand the limitations of this product and do not exceed these limitations. Technical Components Development & Design is not responsible for any damage incurred by exceeding this product's limitations in structure and/or functionality. All illustrations and specifications contained in this guide and the Operations Manual are based on the latest product information available at the time of printing. Technical Components Development & Design, Inc. reserves the right to make changes at any time, without notice, in color, materials, equipment, options, specifications and models. Models may be shown with optional equipment. If instructions are not clear, please refer to the Operations Manual included with the T-Ramp™. Additional information is available at www.condor-lift.com or call 1-800-461-1344.

Return Policy:

The Condor® T-Ramp™ is non-returnable. (See warranty information for more details)

Notice:

Inspect your product upon delivery. Any consideration for return does NOT include any damages which may have occurred during shipment of the product. In fact, the moment the product leaves the premises of the manufacturer it immediately becomes the sole property of the purchaser. It is most important that upon delivery, the recipient thoroughly inspect the product to satisfy that it is being received in perfect condition, and without damage. If damage is found, it will be the complete responsibility of the recipient to identify (and to make known), this damage prior to signing the acceptance page for the delivering freight company. The manufacturer accepts NO responsibility for damaged freight. Claims must be dealt directly by the recipient, and with the freight carrier who is delivering the product.

Thank you for purchasing the Condor® T-Ramp™.

Condor® is a registered trademark of Technical Components Development & Design, Inc.

The Condor® T-Ramp™ is US Patented & International Patent Pending.

Patent Numbers: 8,123,455; 9,010,795; 13/406,425; 61/984,362

Technical Components Development & Design, Inc.

Condor® Products

210 W. Stephenie Drive

Cortland, IL 60112

Phone: (815) 754-7418

Fax: (815) 754-7419

Web Site: www.condor-lift.com