

TK-3000 CONDOR® PIT-STOP / TRAILER-STOP TRAILER ADAPTOR KIT INSTRUCTION MANUAL

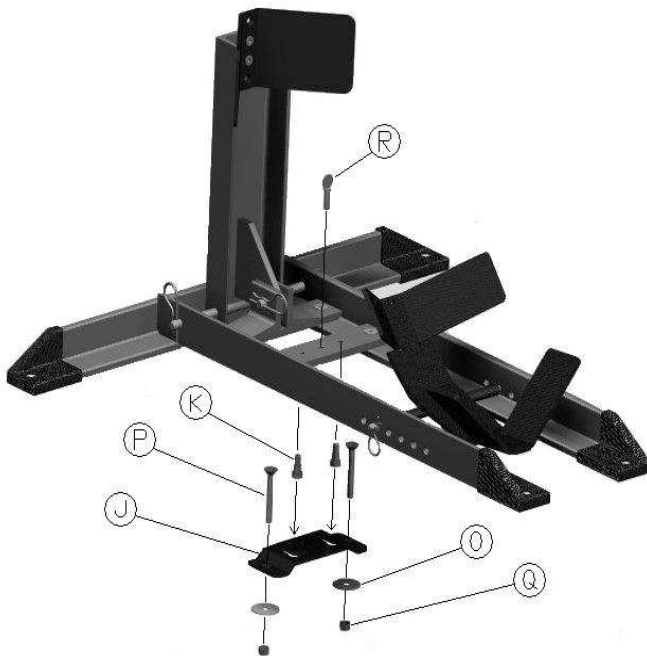
STOP! WARNING: READ THIS FIRST!

First Read and Understand the Instruction manual and product labels for important safety, set-up and troubleshooting information. If you have problems setting up or using the Condor™ Pit-Stop, contact customer service @ 1-815-754-7418 or contact us via e-mail @ www.condor-lift.com. Condor™ Pit-Stop is not intended for use by children.

Assembly Instructions: Remove all parts from shipping box. Check the parts below to make sure you have all the parts needed to assemble your Condor™ Pit-Stop before beginning. In the unlikely event that you find a part damaged or missing, please call customer service @ #815-754-7418.

Parts	Key	Qty.	Description
	J	1	Trailer Bracket (LS-PB32-C)
	K	2	3/8" x 3/8" Socket Shoulder Screw, 5/16" - 18 x 1/2" thread (P-26326)
	O	2	5/16" x 1.5" Fender Washer (P-1133215)
	P	2	5/16" - 18 x 2.5" SS Flat Head Socket Cap Screw (P-73914)
	Q	2	5/16"-18 Lock Nut (P-37021)
	R	1	5/16" - 18 x 1" Spade Head w/ shoulder Thumb Screw (P-148490)
	S	4	1/4" USS Flat Washer (PCS-1133004)

Installation Instructions:



Step 1: Attach Shoulder Screws (K) to the Condor® Pit-Stop/Trailer-Stop cross member as shown. (Torque parts K to 18 ft-lbs)

Step 2: Attach Trailer Bracket (J) to mounting platform first. Allow a minimum of 10.0" of space on the mounting surface from the center of the Trailer Bracket to the locked end of the Condor® Pit-Stop/Trailer-Stop. The Condor® unit should always be fully planted on the mounting platform when engaged into the trailer bracket (J). Place part J parallel to platform end using the recommended dimension, and drill holes for Screws (P) using a 5/16" drill bit.

Step 3: Secure Trailer Bracket (J) using parts P, O and Q. Insert Part P through part J and through mounting platform. Once part P has passed through the mounting platform, secure it with parts O and Q. Make sure that parts O and Q are secured as shown. Torque part Q to 18 ft-lbs.

Step 4: Once the holes for part J are drilled, secure it using parts P, O and Q. Run Part P through part J and through mounting platform. Once part P has passed through the mounting platform, secure it with parts O and Q. Make sure that parts O and Q are secured as shown. Torque Q to 24 ft-lbs.

Step 5: As shown, place Condor® unit into Trailer bracket by inserting parts K into part J key way. Once parts K have entered the keyway of part J, slide the Condor® unit forward and in the direction of the keyway path. Unit must slide in smoothly. If unit does not slide easily, use included washers (S) under parts K to increase clearance to compensate for floor flatness. Once unit is locked into part J, proceed to use Thumbscrew (R) to secure and lock unit in place.

Caution: Always make sure that all fasteners are tight and all pins and parts are in place prior to use.

Warning: Only use Condor® unit when trailer adapter kit is properly installed.

One Year Limited Warranty:

This Condor® Pit-Stop product warranty extends to the original consumer purchaser of the product. All illustrations and specifications contained in this manual are based on the latest product information available at the time of printing. Technical Components Development & Design, Inc. reserves the right to make changes at any time, without notice, in color, materials, equipment, options, specifications and models. Models may be shown with optional equipment. Further information may be obtained by contacting Technical Components Development & Design, Inc. @ #815-754-7418

Warranty Duration:

This product is warranted to the original consumer purchase for a period of one (1) Year from original purchase date.

What is not covered:

Our warranty for your product will not cover abnormal wear of parts, damage resulting from negligent use or misuse of the product, use contrary to operating instructions, or disassembly, repair or alteration by any person other than an authorized service station. We shall not be liable for any incidental or consequential damages for breach of by express or implied warranty on your product.

Return Policy:

15 day return policy applies. Merchandise may be returned within 15 days of purchase. Merchandise must be unused and in its original packaging. Customer will call TC Development for a Return Authorization number. Customer pays for freight return. Credit is given upon inspection of returned goods. A ten percent re-stocking fee applies to all returned merchandise

How your state's law may apply:

Some states do not allow limitations on how long any implied warranty lasts or the exclusion or limitation of incidental or consequential damages. So the above limitation may not apply to you. This warranty gives you specific legal rights, and you may also have other rights, which may vary from state to state.

Thank you for purchasing the Condor® Pit-Stop/Trailer-Stop Trailer Adapter Kit.

Condor® is a trademark of Technical Components Development & Design, Inc.

The Condor® Pit-Stop / Trailer-Stop is US Patented & International Patent Pending.

Made in the U.S.A.

210 W. Stephenie Drive
Cortland, IL 60112
Phone: (815) 754-7418
Fax: (815) 754-7419
Email: TCDD@condor-lift.com
WebSite: www.condor-lift.com